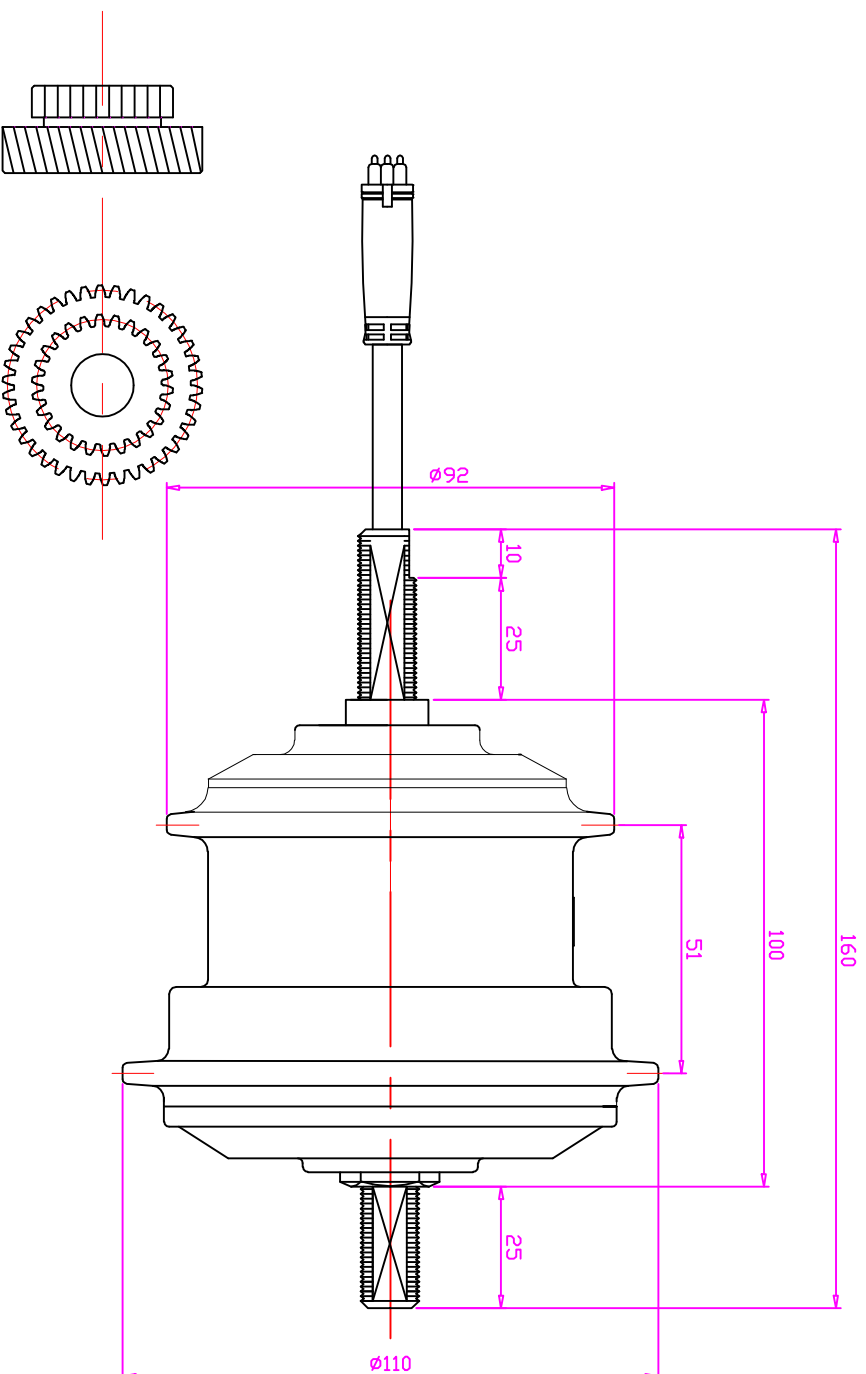


Ecity Power Co., Ltd. Website: www.ecitypower.com

Q75



Fork Size:100mm

Output Power:150w—250w

Voltage:24v or 36v

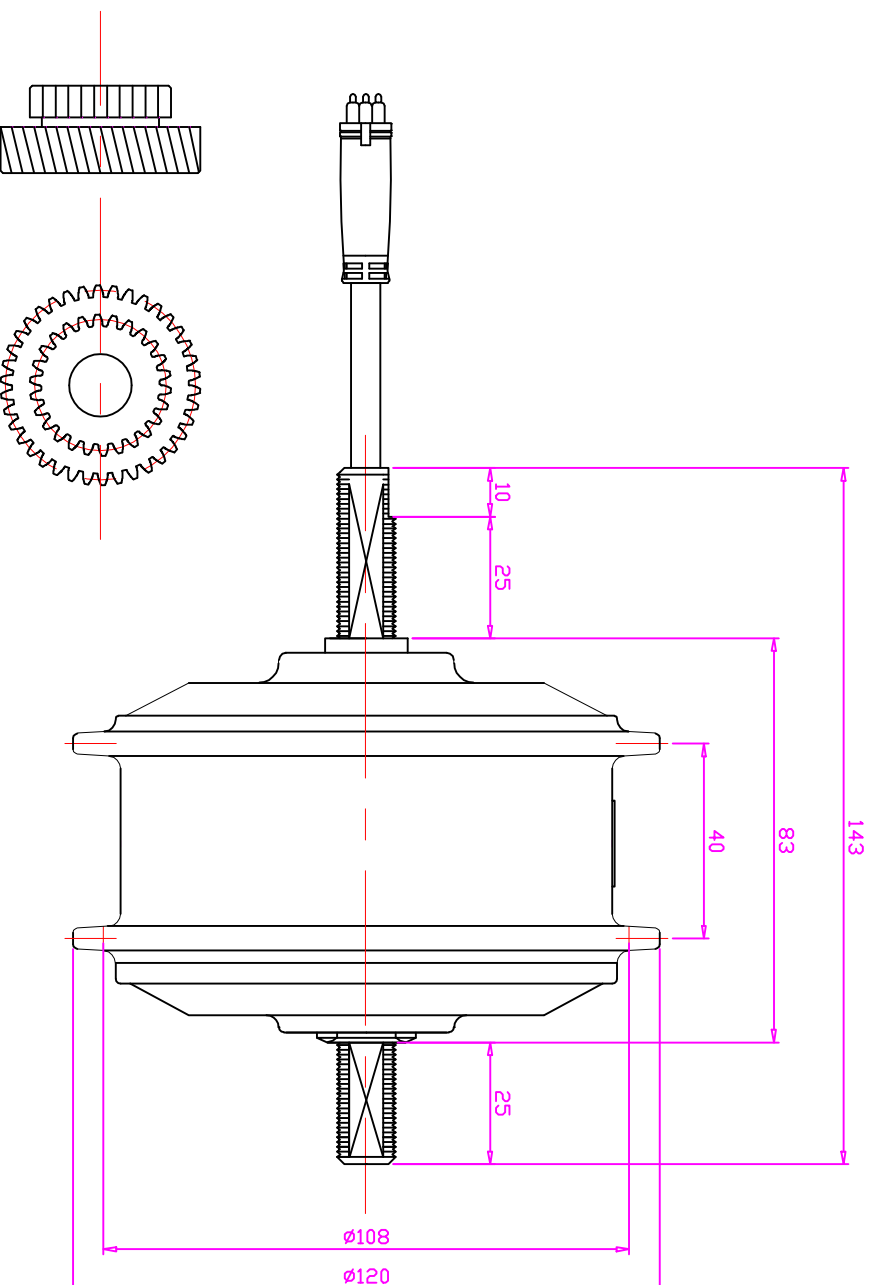
Efficiency: >80%

Inch: 12"—28"

Weight:1.2kg

Ecity Power Co., Ltd. Website: www.ecitypower.com

Q85 Front



Fork Size:83mm

Output Power:150w—350w

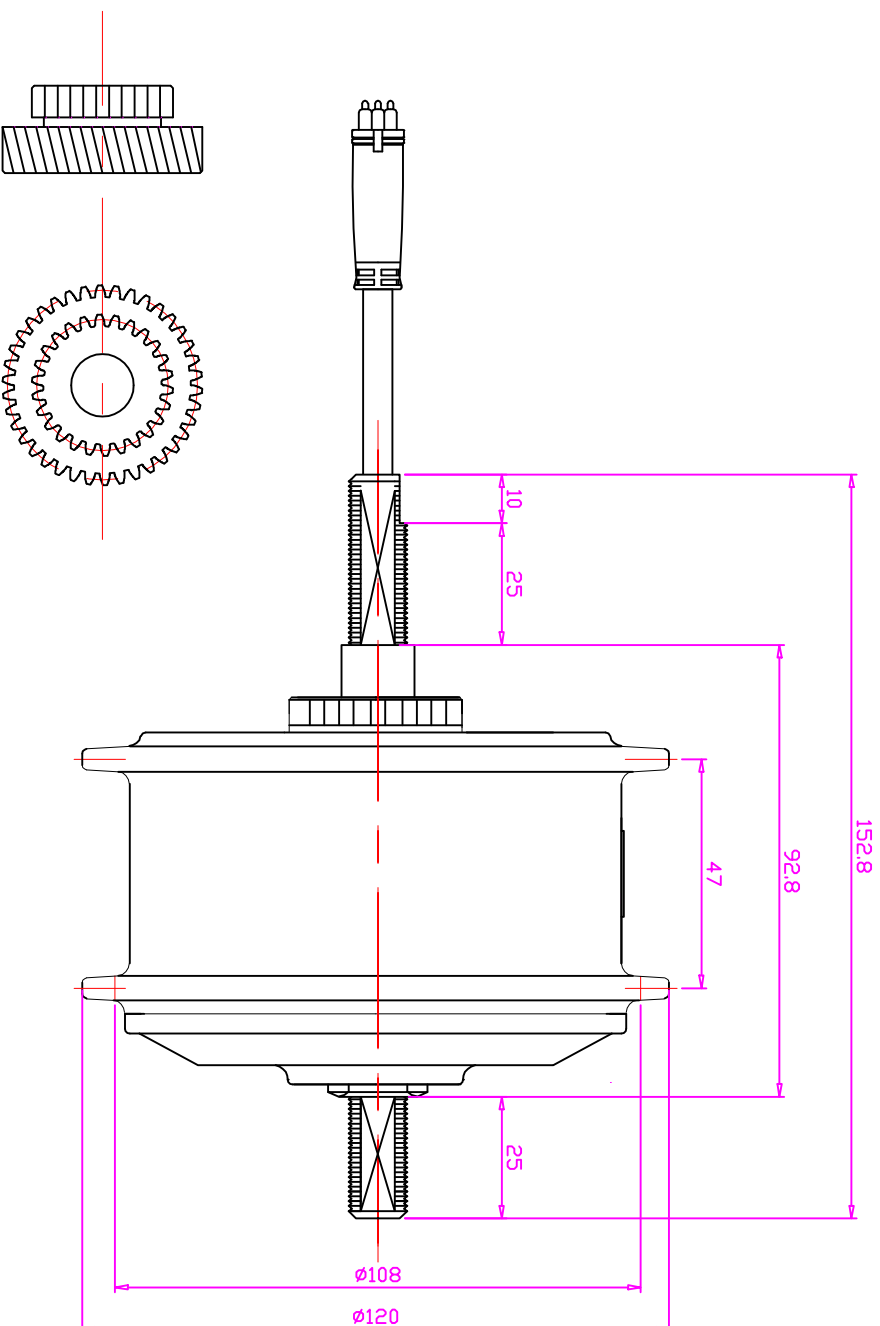
Voltage:24v or 36v

Efficiency:>80%

Inch:12"—28"

Weight:1.6kg

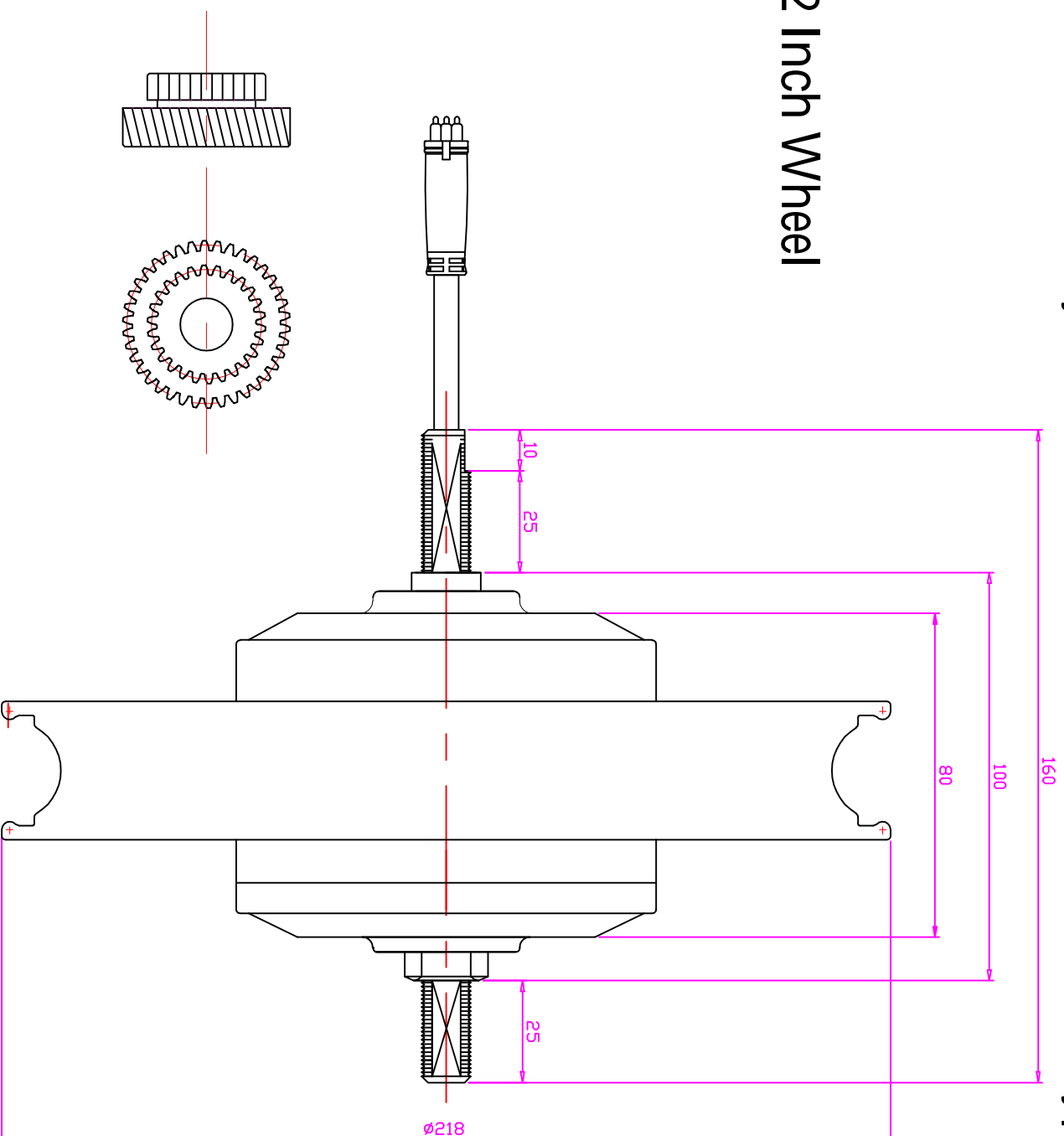
Ecity Power Co., Ltd. Website: www.ecitypower.com
Q85 Roller Brake



Fork Size: 92.8mm
Output Power: 150w—350w
Voltage: 24v or 36v
Efficiency: >80%
Inch: 12"—28"
Weight: 1.6kg

Ecicity Power Co., Ltd. Website: www.ecitypower.com

12 Inch Wheel



Fork Size:100mm

Output Power:150w—350w

Voltage:24v or 36v

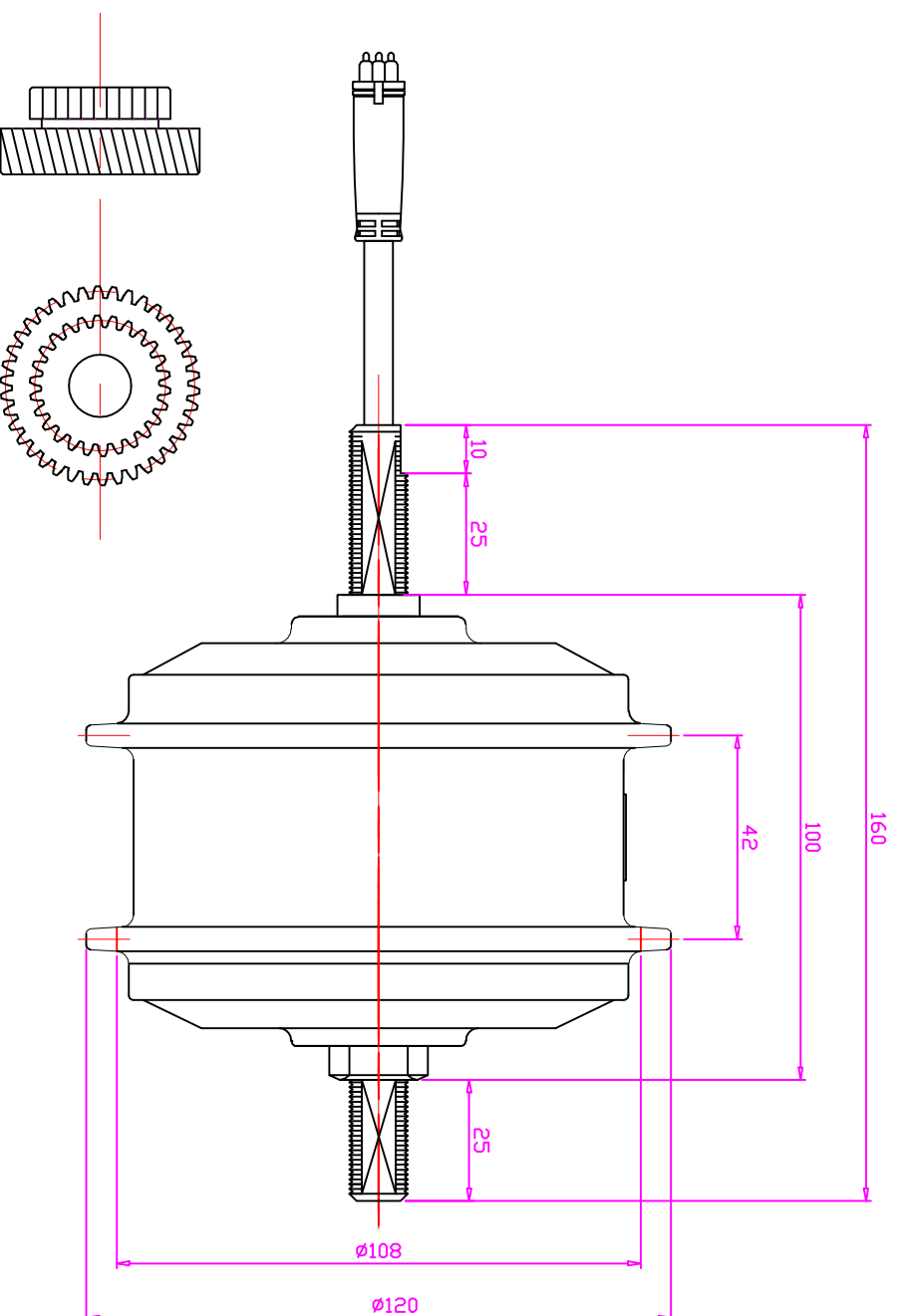
Efficiency: >80%

Inch: 12"

Weight: 2.5kg

Ecicy Power Co., Ltd. Website: www.ecitypower.com

Q100 Front



Fork Size:100mm

Output Power:150w—350w

Voltage:24v or 36v

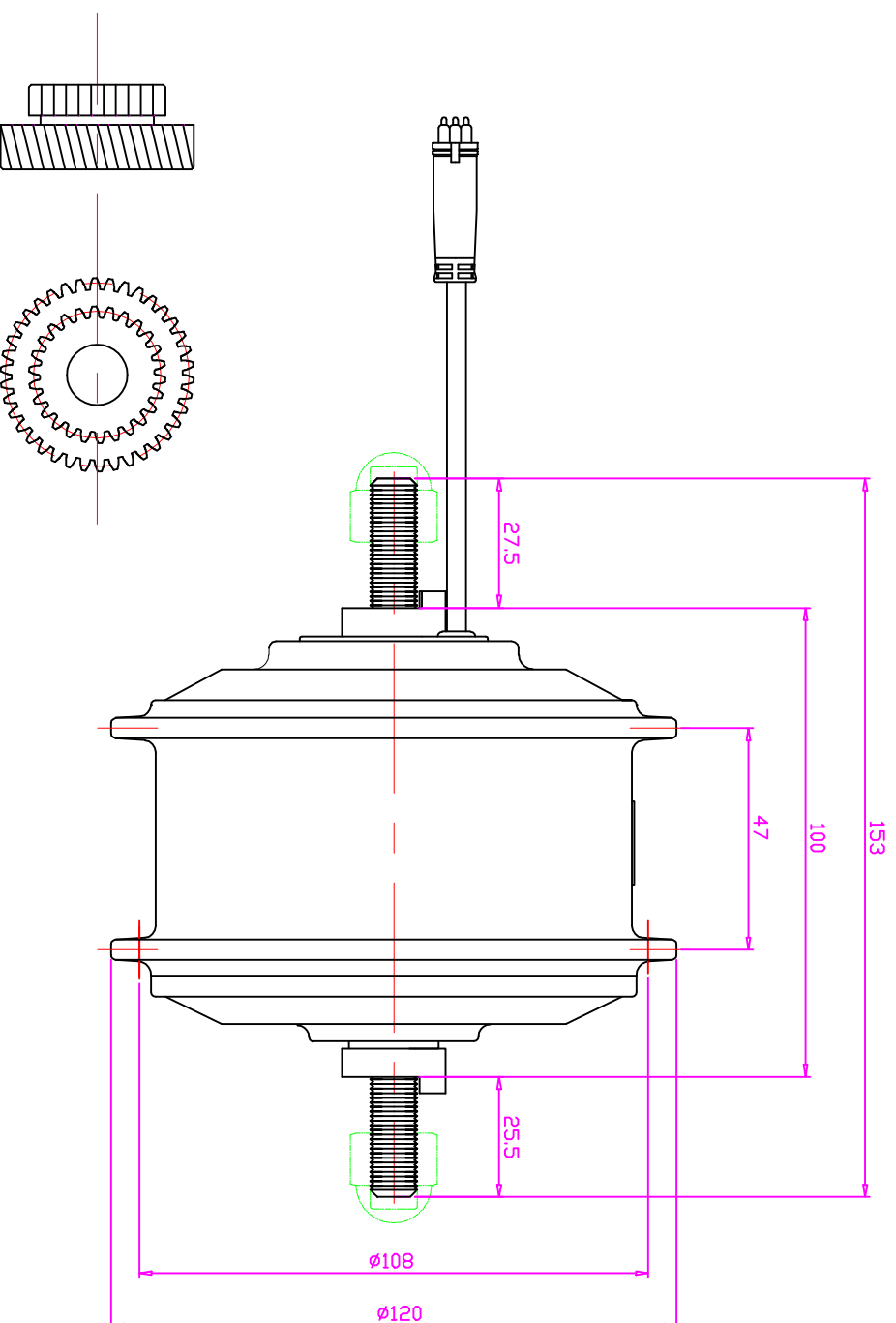
Efficiency: >80%

Inch: 12"—28"

Weight:2.0kg

Ecity Power Co., Ltd. Website: www.ecitypower.com

Q100 Front



Fork Size:100mm

Output Power:150w—350w

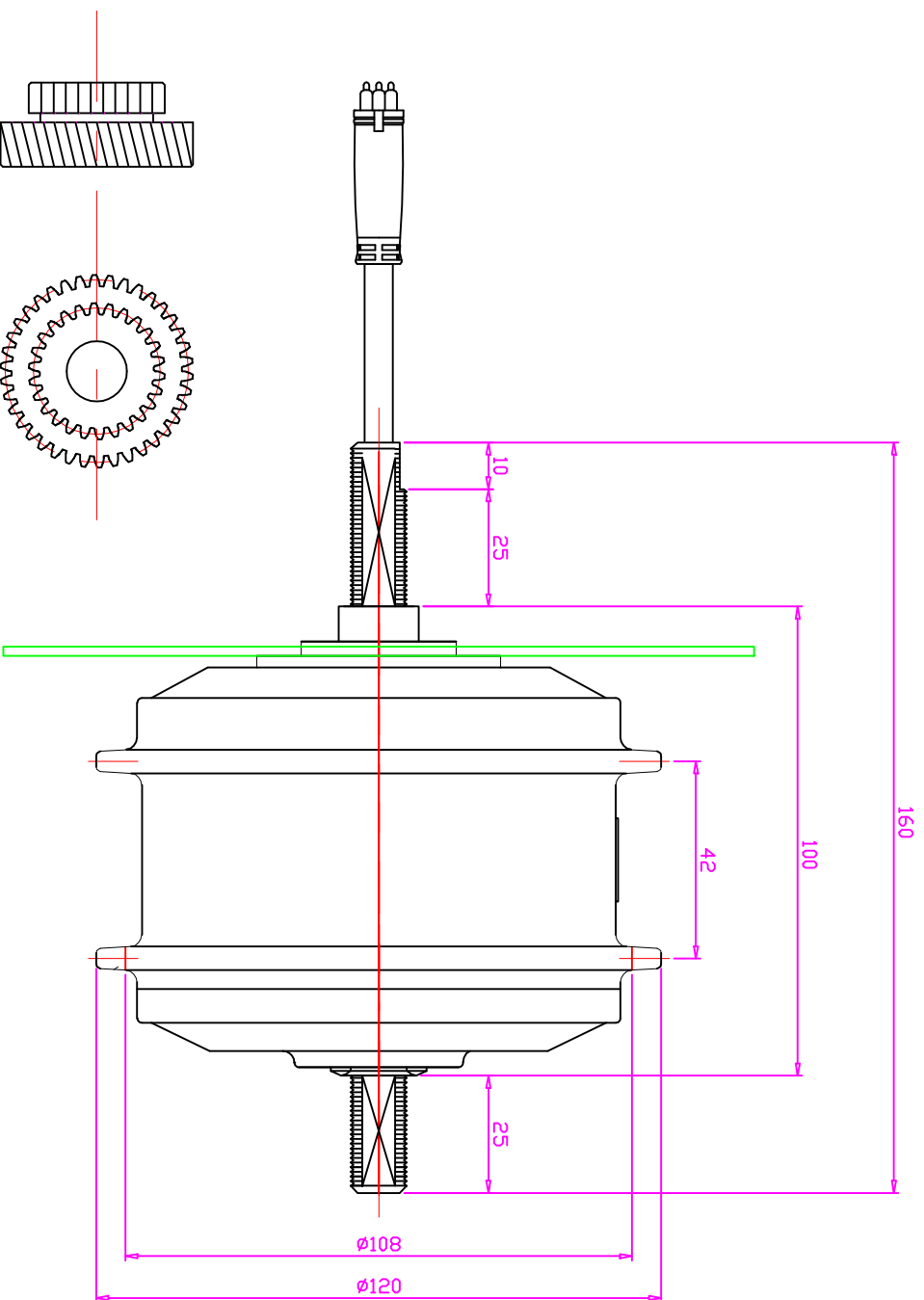
Voltage:24v or 36v

Efficiency:>80%

Inch:12"—28"

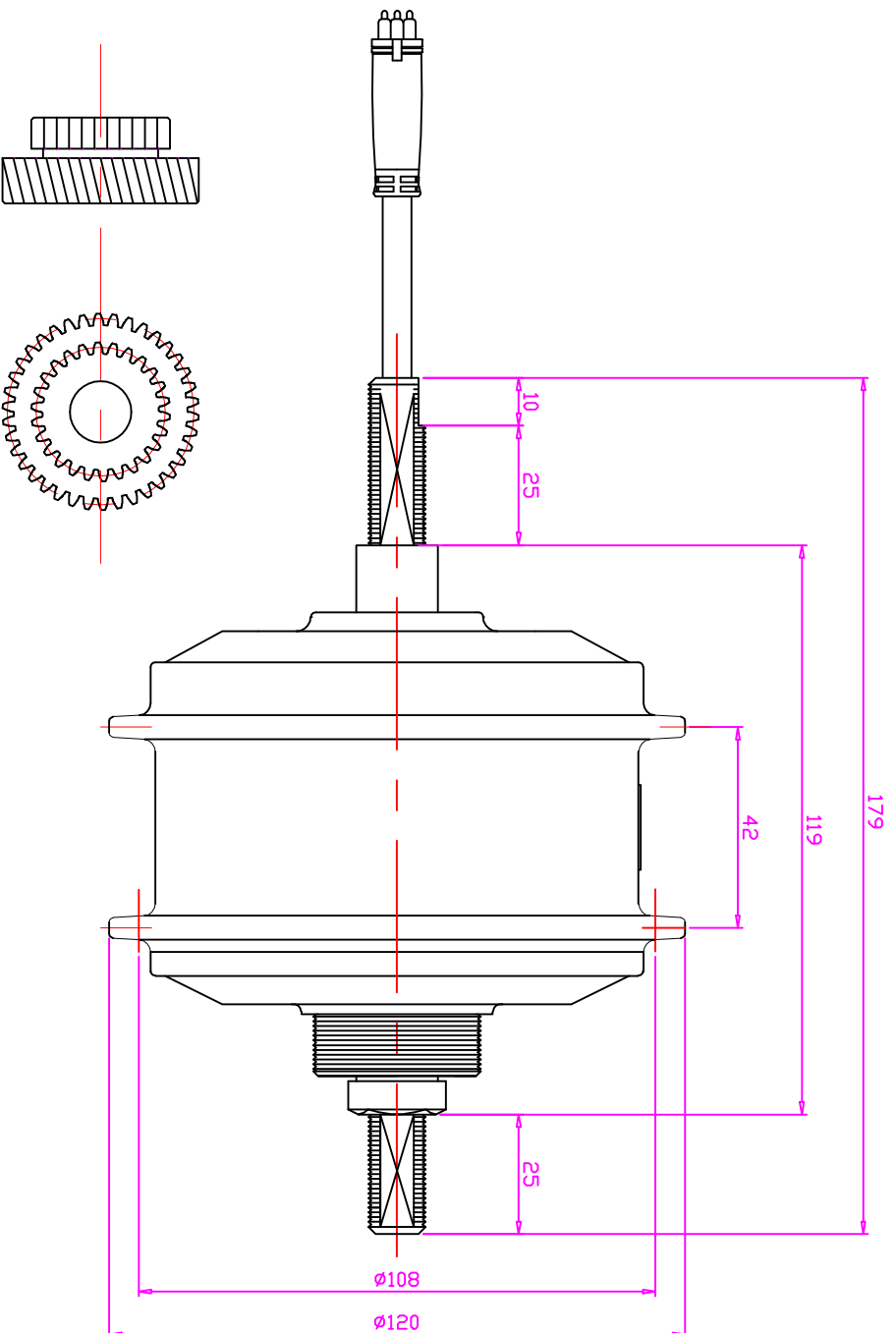
Weight:2.0kg

Ecity Power Co., Ltd. Website: www.ecitypower.com
Q100 Disk Brake Front



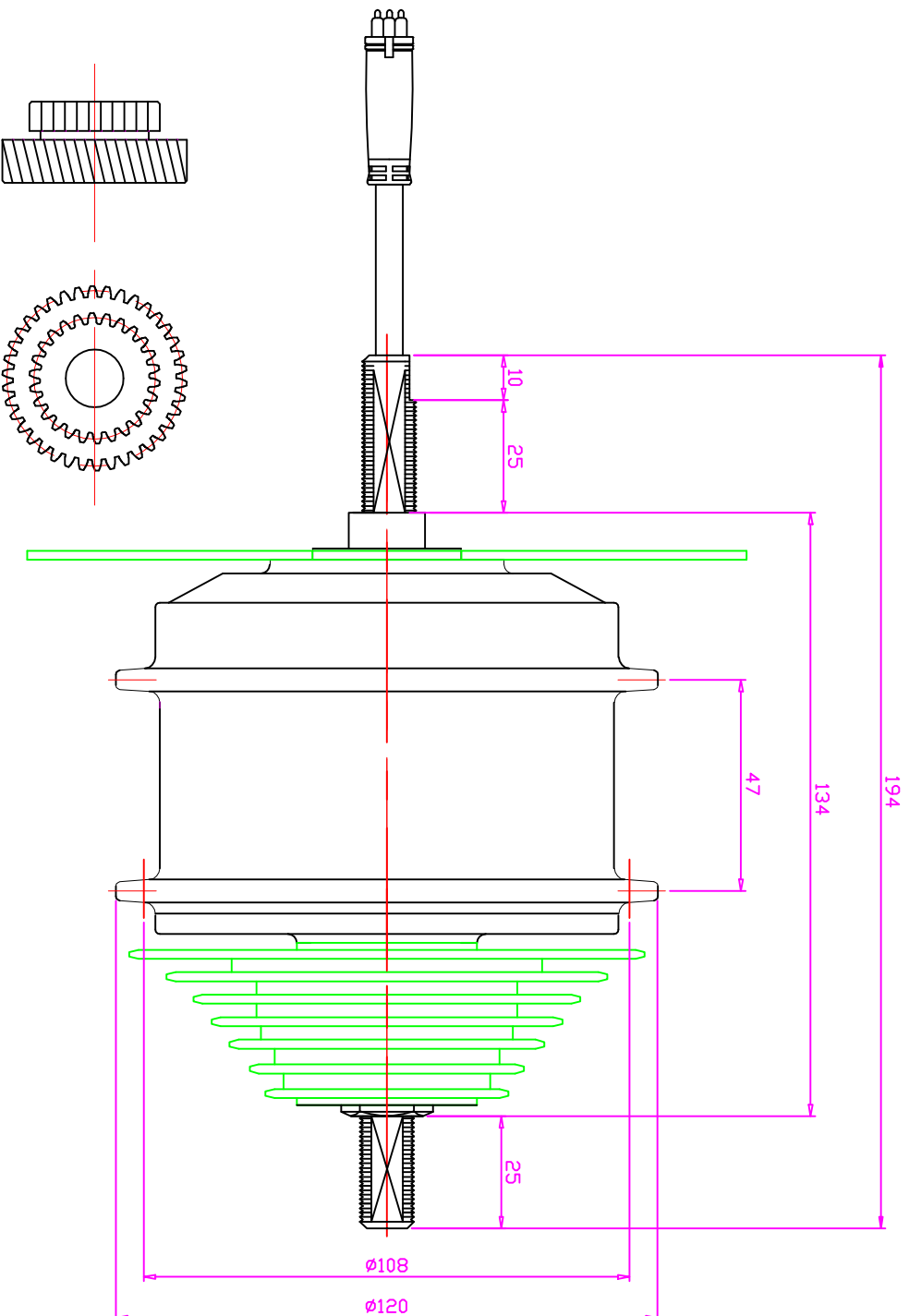
Fork Size:100mm
Output Power:150w—350w
Voltage:24vor36v
Efficiency:>80%
Inch:12"—28"
Weight:2.0kg

Ecity Power Co., Ltd. Website: www.ecitypower.com
Q100 one-Speed V-Brake



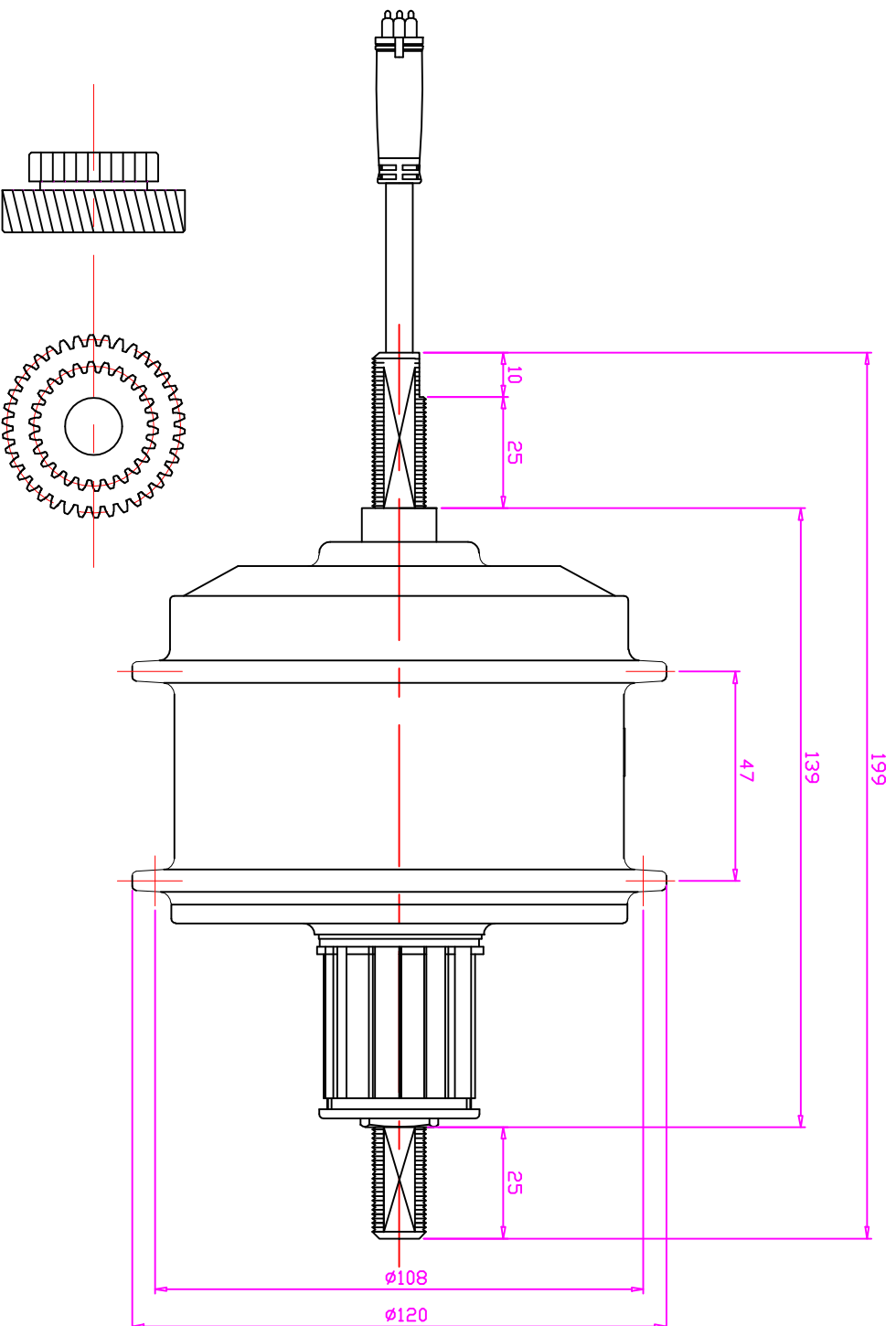
Fork Size:119mm
Output Power:150w—350w
Voltage:24vor36v
Efficiency:>80%
Inch:12"—28"
Weight:2.1kg

Ecity Power Co., Ltd. Website: www.ecitypower.com
Q100 7-Speed Disc Brake



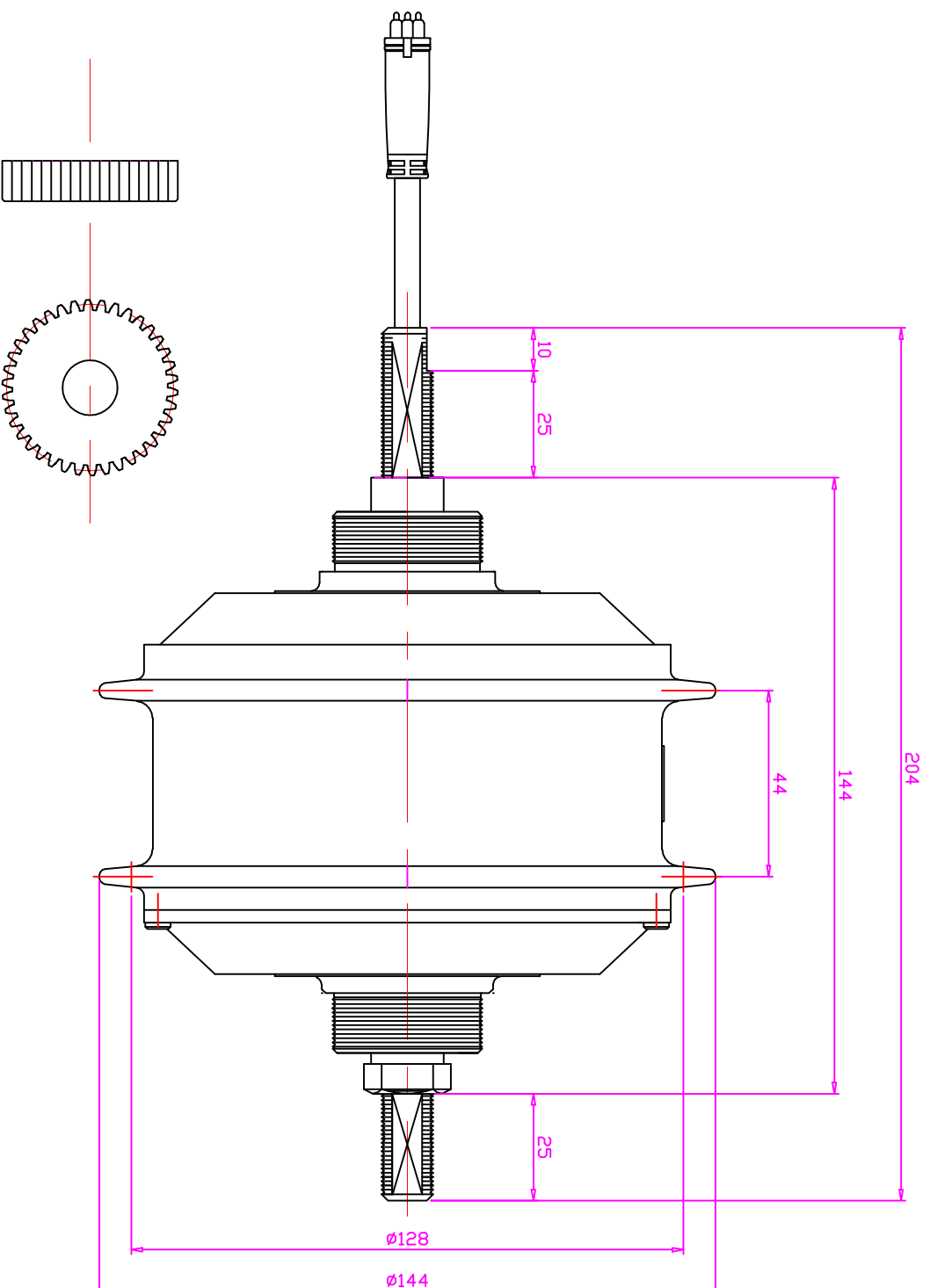
- Fork Size:134mm
- Output Power:150w—350w
- Voltage:24v or 36v
- Efficiency: >80%
- Inch: 12"—28"
- Weight: 2.1kg

Ecity Power Co., Ltd. Website: www.ecitypower.com Cassette Freewheel Motor



Fork Size:139mm
Output Power:150w—350w
Voltage:24v or 36v
Efficiency:>80%
Inch:12"—28"
Weight:2.2kg

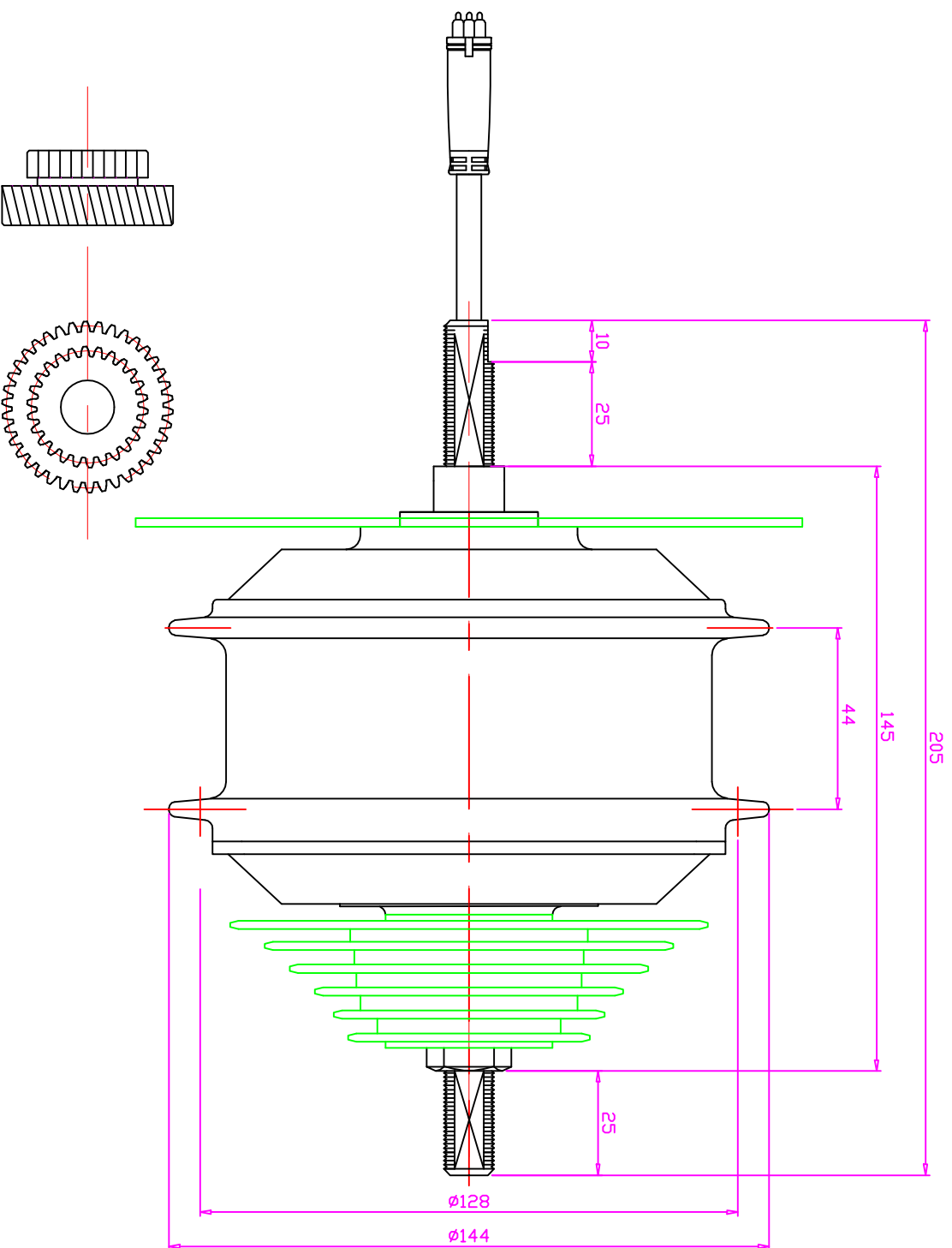
Ecicity Power Co., Ltd. Website: www.ecitypower.com
Q128 Rear axes brake



Fork Size:144mm
Output Power:150w—350w
Voltage:24v or 36v
Efficiency:>80%
Inch:12"—28"
Weight:3.0kg

Ecicy Power Co., Ltd. Website: www.ecitypower.com

Q128 6-Speed Disc Brake



Fork Size: 145mm

Output Power: 350w—500w

Voltage: 36v or 48v

Efficiency: >82%

Inch: 12"—28"

Weight: 3.0kg

Ecity Power Co., Ltd. Website: www.ecitypower.com



Ecicity Power Co., Ltd. Website: www.ecitypower.com

75 This is our new model in 2012. Now samples can be available. Hopefully, the mass production starts at June. This model is designed for portable folding bike.

85 This is our massively produced motor. Inside it has double and slashed gear structure. While working, it gives very low noise and is suitable for portable folding bike.

100 This is also our massively produced product, having double and slashed gear structure inside. While working, it has low noise and strong slope climbing capacity. And this model is suitable for a wide range of e-bikes. So far, we have exported the largest quantity of motors in this type, and they are also greatly appreciated by our customers.

128 This is also our massively produced motor, using double and slashed gear structure inside, producing low noise. The power of this model ranges from 350W to 500W according to the customers' demand, and it can save about 30% energy, compared to other types of strong motors in the present market. This model is usually used in strong power motor bikes for a long working time.